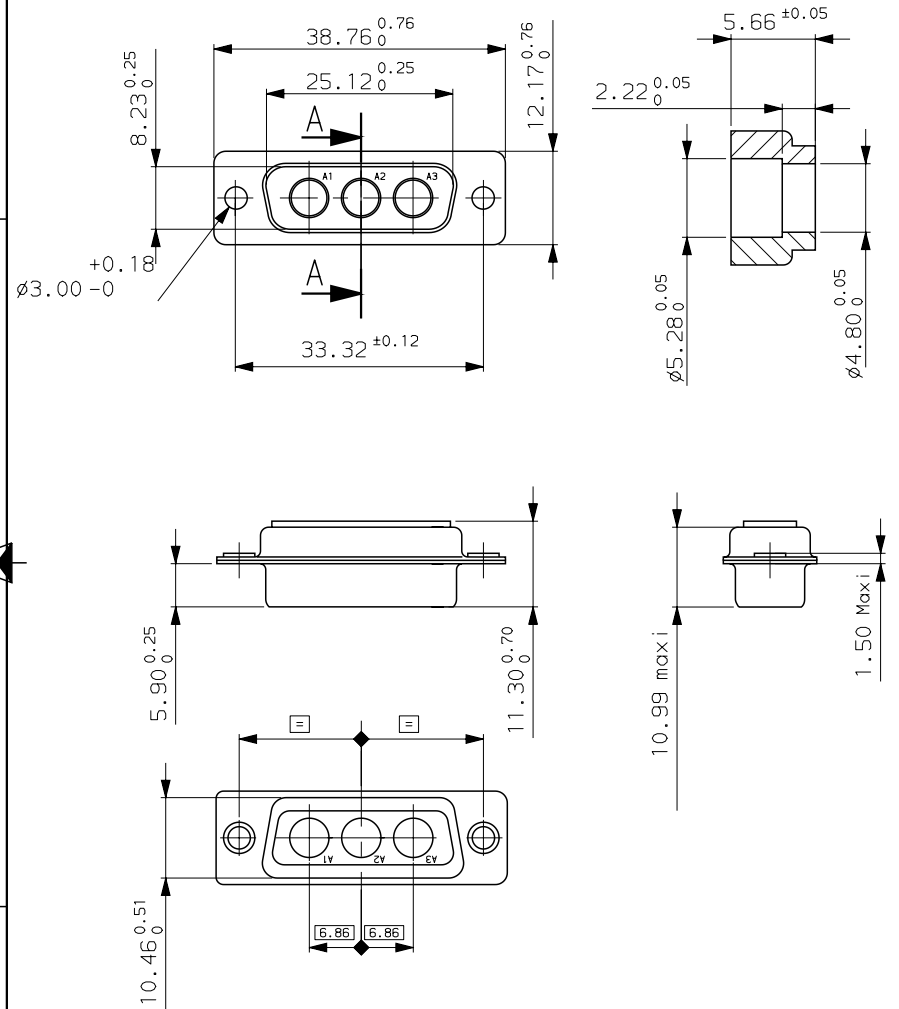


H G F E D C B A

Detail alveole A-A



CHARACTERISTICS:

Dielectric withstanding voltage: 1000V minimum
 Insulation resistance: ≥5000Ma
 Material of -insulator: green polyester class UL 94 V-0
 -shell: Steel
 Plating of -shell: cadmium
 Temperature range: -55°C,+125°C

TEST RESULTS

Results of salt spray test: method 1001 of MIL STD 1344
 Shock test results: method 2004 MIL STD 1344 discontinuity ≤1 microsecond
 Vibrations: method 2005 of MIL STD 1344 discontinuity ≤ 1 microsecond
 Humidity: method 1002 of MIL-STD-1344

Part number		DAM3W3PN	
a	25/09/95	creation of drawing.	--
ISS	DATE	Latest modification by : JOUBERT	MOD N°
Designed by: JOUBERT date 25/09/95		Type of drawing:	CLIENT
TITLE : MALE MARK I CONNECTOR 3 COAX			SHEET 1/1
SCALE: 1.5			
		FRAMATOME CONNECTORS FRANCE Rue Louis Breguet - BP 05 72024 LE MANS Cedex Tel. 33 (16) 43.84.08.43	This document is the property of FRAMATOME CONNECTORS FRANCE It must not be reproduced or communicated without permission in writing from the owners
FORMAT	A3	SOURIAU DRG N°	PROJECT
		C01-8639-0457	M94D001

H G F E D C B A